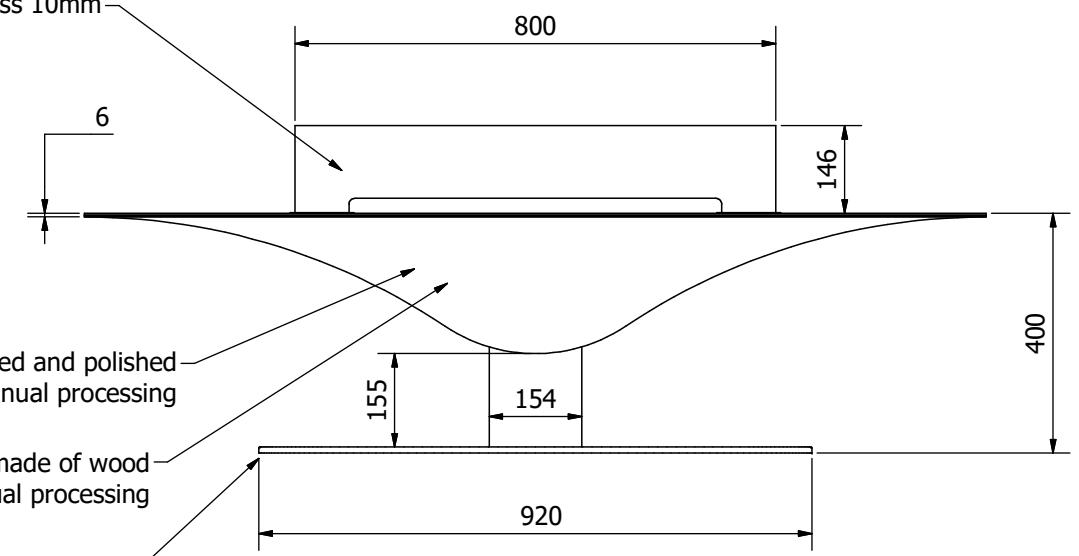


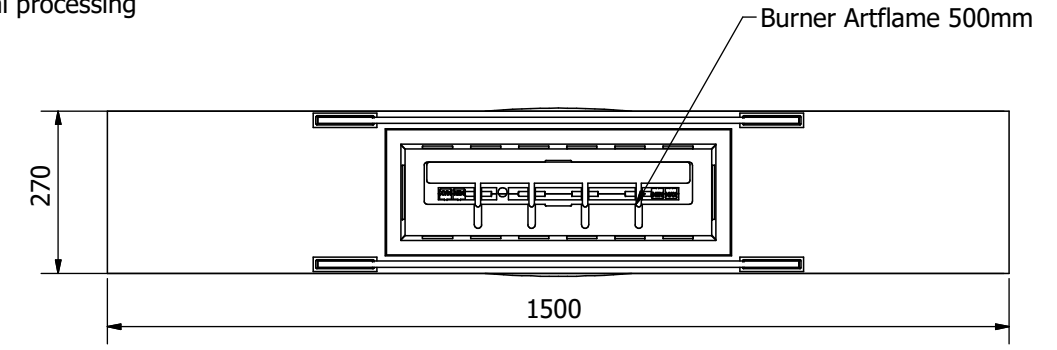
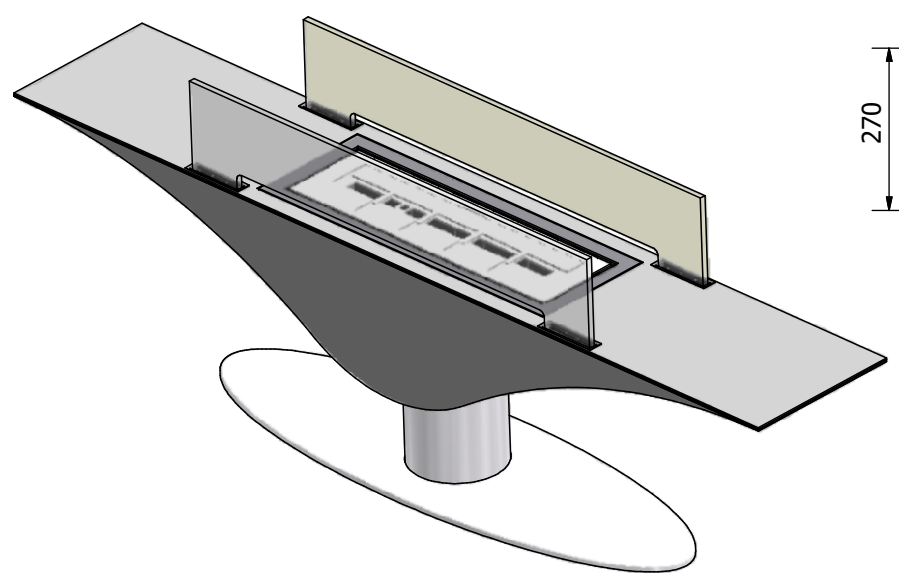
Tempered Optiwhite glass 10mm



The surface is varnished and polished
Manual processing

A solid made of wood
Manual processing

The base of the fireplace is stainless steel
Mirror polished - Manual processing



ENG UPDATED 15.01.2018

The drawing is subject to copyright Biopasja Sp. z o.o.
Industrial design protection own by Biopasja Sp. z o.o RCD002681213

Tulip floor fireplace				Project No TULIP
				Drawing No Drw.1
Scale	Format A3	Drawn by Adam	Drawn Date 15/01/2018	BIOPASJA
Rev.	Approved by	Rev. by	Rev. Date	
This drawing is our exclusive property and may not without our consent be utilized, reproduced, transmitted or communicated to a third party.				